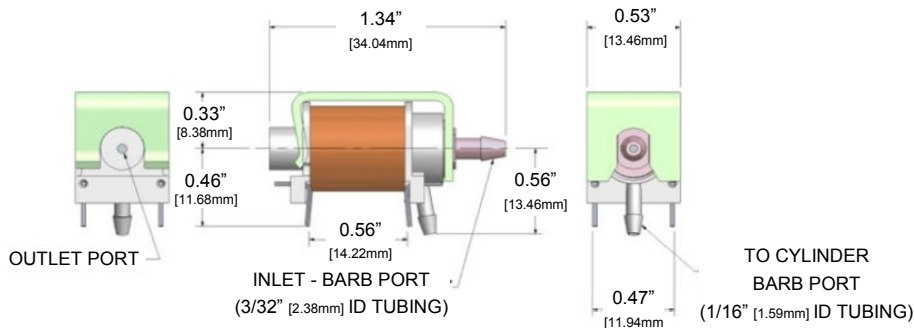


CUSTOM SOLENOID VALVES

Small Pneumatic Valve (SPV)

Feature	Specification
Solenoid Valve Type:	<ul style="list-style-type: none"> • 2, 3 or 4-way ported • Circuit board mount • Continuous duty • Media: gaseous
Pressure:	<ul style="list-style-type: none"> • Operating: 150 psi (10.3bar) • Burst: 400 psi (27.6bar)
Flow:	<ul style="list-style-type: none"> • Inlet to Cyl: 20 SLPM (0.71cfm) @30 psi (2.1bar) (Cv=0.04) • Cyl to Outlet: 30 SLPM (1.06cfm) @30 psi (2.1bar) (Cv=0.05)
Leakage:	<ul style="list-style-type: none"> • 0.001 cc/sec
Voltage:	<ul style="list-style-type: none"> • 5 VDC • Alternate low voltage options available
Coil Resistance:	<ul style="list-style-type: none"> • 3.5 Ohms (3.5 watts average power with PWM driver circuit)
Response Time:	<ul style="list-style-type: none"> • 3 millisecond
Materials and Finish:	<ul style="list-style-type: none"> • Frame, Armature, Polepiece - Carbon steel, zinc plated • Bobbin - Glass reinforced 6-6 Nylon



CONTACT WORLDWIDE

USA

Kendrion - Tri-Tech
 56733 Magnetic Drive
 Mishawaka, IN 46545-7481
 USA

Phone: +1 574 257 2422
 Fax: +1 574 257 2421
 E-Mail: info@tri-techllc.com

Europe

Kendrion Magnettechnik GmbH
 August-Fischbach-Straße 1
 78166 Donaueschingen
 Germany

Phone: +49 771 8009 3770
 Fax: +49 771 8009 3634
 E-Mail: magnetic-systems@kendrion.com