

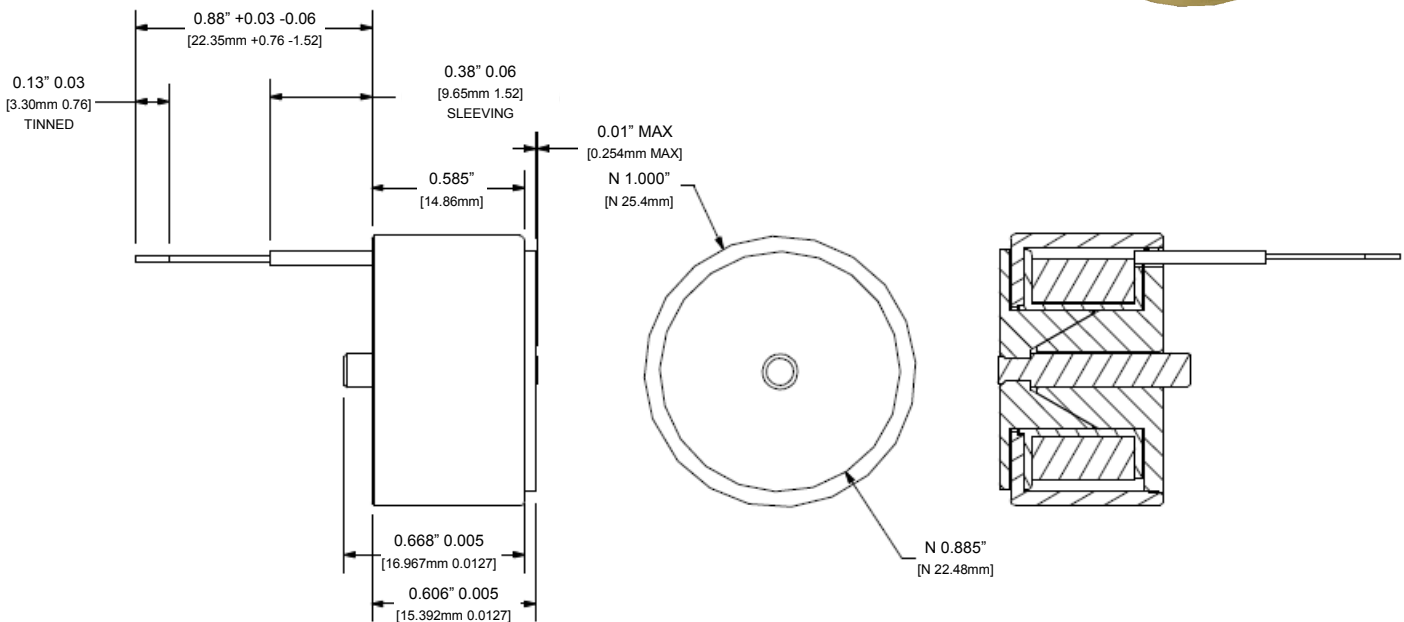


WE MAGNETISE THE WORLD

## CUSTOM SOLENOIDS & ACTUATORS

### High Speed Solenoid Actuator - Push Type: Series 15510

Feature	Specification
Solenoid Type:	<ul style="list-style-type: none"> <li>• Intermittent Duty Pulse</li> <li>• High Speed</li> <li>• Push Type</li> </ul>
Stroke:	• 0.088 Inches (2.24mm)
Time Constant:	• 7 Milliseconds, Nominal
Voltage	• 9 VDC
Coil Resistance	• 0.87 Ohm
Materials and Finish	<ul style="list-style-type: none"> <li>• Zinc Plated, Carbon Steel Shell</li> <li>• 300 Series Stainless Steel Push Pin</li> <li>• Nickel Plated Guide Stop</li> </ul>



## CONTACT WORLDWIDE

### USA

**Kendrion - Tri-Tech**  
 56733 Magnetic Drive  
 Mishawaka, IN 46545-7481  
 USA

Phone: +1 574 257 2422  
 Fax: +1 574 257 2421  
 E-Mail: [info@tri-techllc.com](mailto:info@tri-techllc.com)

### Europe

**Kendrion Magnettechnik GmbH**  
 August-Fischbach-Straße 1  
 78166 Donaueschingen  
 Germany

Phone: +49 771 8009 3770  
 Fax: +49 771 8009 3634  
 E-Mail: [magnetic-systems@kendrion.com](mailto:magnetic-systems@kendrion.com)

[www.kendrion-tritech.com](http://www.kendrion-tritech.com)  
[www.kendrion-electromagnetic.com](http://www.kendrion-electromagnetic.com)