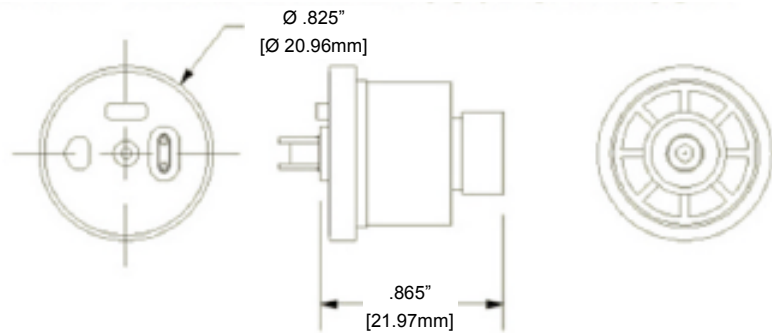




WE MAGNETISE THE WORLD

CUSTOM SOLENOID VALVES Mist Dispensing Valve

Feature	Specification
Voltage:	• 3-6 VDC Battery Operated
Response Time:	• Less than 1 ms
Operating Pressure:	• 0-120 psi (0-8.3 bar)
Flow:	• 0.002 cfm (0.00566 slpm)
Power Consumption:	• Per Customer Specs
Applications / Comments:	• Mist Dispenser Valve • 100,000 Cycles on 2 AA batteries



CONTACT WORLDWIDE

USA

Kendrion - Tri-Tech
 56733 Magnetic Drive
 Mishawaka, IN 46545-7481
 USA

Phone: +1 574 257 2422
 Fax: +1 574 257 2421
 E-Mail: info@tri-techllc.com

Europe

Kendrion Magnettechnik GmbH
 August-Fischbach-Straße 1
 78166 Donaueschingen
 Germany

Phone: +49 771 8009 3770
 Fax: +49 771 8009 3634
 E-Mail: magnetic-systems@kendrion.com

www.kendrion-tritech.com
www.kendrion-electromagnetic.com