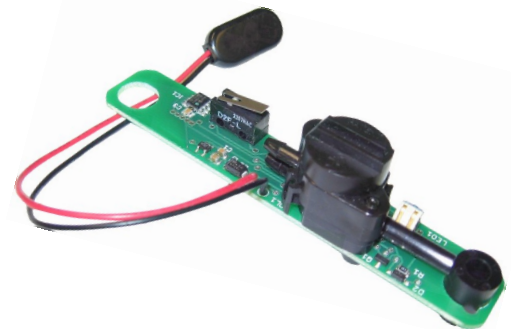
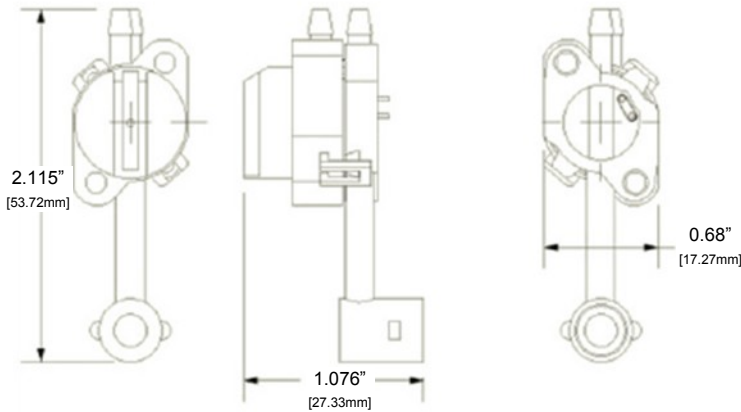
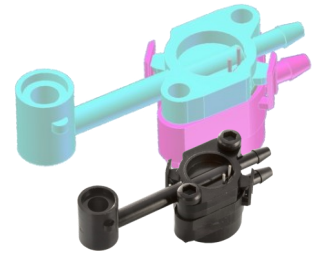


WE MAGNETISE THE WORLD

## CUSTOM SOLENOID VALVES

### 3-Way Pneumatic Valve

Feature	Specification
Voltage:	<ul style="list-style-type: none"> <li>• 5-9 VDC Battery Operated</li> </ul>
Response Time:	<ul style="list-style-type: none"> <li>• Less than 1 ms</li> </ul>
Operating Pressure:	<ul style="list-style-type: none"> <li>• 0-250 psi (17.2bar)</li> </ul>
Flow:	<ul style="list-style-type: none"> <li>• 0.05 cfm (1.42slpm) max.</li> </ul>
Power Consumption:	<ul style="list-style-type: none"> <li>• Per Customer Specs</li> </ul>
Applications / Comments:	<ul style="list-style-type: none"> <li>• Paintball Markers</li> <li>• Pneumatic Actuated Applications</li> <li>• 3-Way Operations</li> <li>• 25,000 cycles @ 180 PSI (12.4bar), 9V battery</li> <li>• Qualified with CO<sub>2</sub> / Air / Nitrogen</li> </ul>



## CONTACT WORLDWIDE

### USA

**Kendrion - Tri-Tech**  
 56733 Magnetic Drive  
 Mishawaka, IN 46545-7481  
 USA

Phone: +1 574 257 2422  
 Fax: +1 574 257 2421  
 E-Mail: [info@tri-techllc.com](mailto:info@tri-techllc.com)

### Europe

**Kendrion Magnettechnik GmbH**  
 August-Fischbach-Straße 1  
 78166 Donaueschingen  
 Germany

Phone: +49 771 8009 3770  
 Fax: +49 771 8009 3634  
 E-Mail: [magnetic-systems@kendrion.com](mailto:magnetic-systems@kendrion.com)

[www.kendrion-tritech.com](http://www.kendrion-tritech.com)  
[www.kendrion-electromagnetic.com](http://www.kendrion-electromagnetic.com)