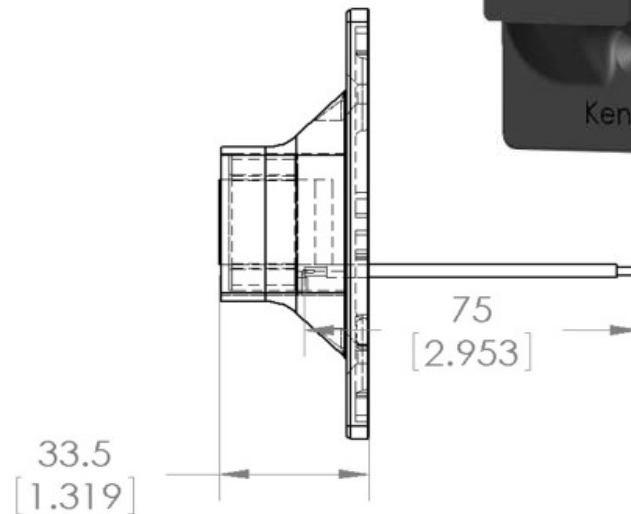
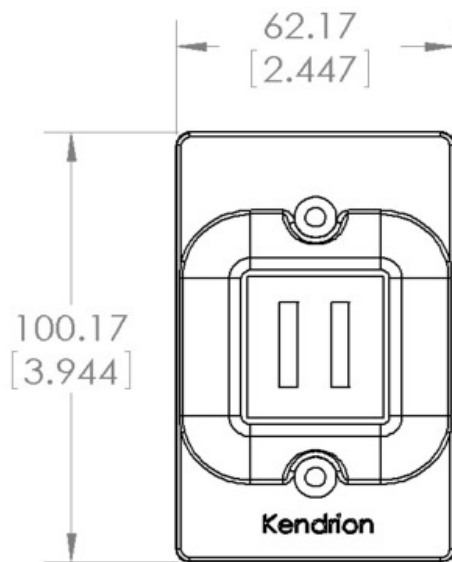


ELECTROMAGNETIC DOOR HOLDER

Feature	Specification
Voltage:	<ul style="list-style-type: none"> • 24 VDC (alternatives possible)
Force:	<ul style="list-style-type: none"> • > 45 lbs. (> 200 N)
Power Consumption:	<ul style="list-style-type: none"> • 1.5 W
Applications / Comments:	<ul style="list-style-type: none"> • Fire Protection • Building Protection • Locking Device • UL and EN compatible (not yet listed) • Customized Design and Branding upon request



CONTACT WORLDWIDE

USA

Kendrion - Tri-Tech
 56733 Magnetic Drive
 Mishawaka, IN 46545-7481
 USA

Phone: +1 574 257 2422
 Fax: +1 574 257 2421
 E-Mail: info@tri-techllc.com

Europe

Kendrion Magnettechnik GmbH
 August-Fischbach-Straße 1
 78166 Donaueschingen
 Germany

Phone: +49 771 8009 3770
 Fax: +49 771 8009 3634
 E-Mail: magnetic-systems@kendrion.com